

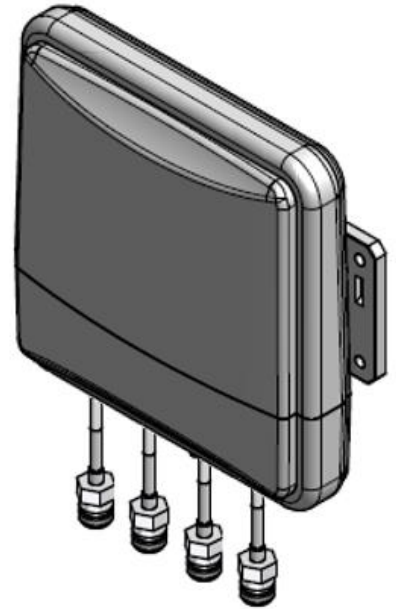
3.5GHz 4T4R Patch Antenna

3350~3900 MHz / 10dBi

P-0T04XT-0010-K

i. Electrical Specification

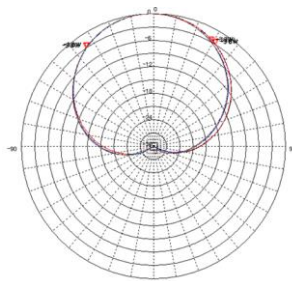
항 목		Patch Antenna
Frequency Range (MHz)		3350~3900
Polarization		± 45°
Band Width		550 MHz
Gain		≥ 10 dBi
Beam width	Horizontal	≥ 60 °
	Vertical	≥ 30 °
F-B ratio		≥ 15 dB
VSWR		≤ 1.5 : 1
PIMD (@2x37dBm)		3 rd : ≤ -140 5 th : ≤ -160
Impedance		50 Ω
Isolation		≥ 20 dB
Maximum input power		200 W



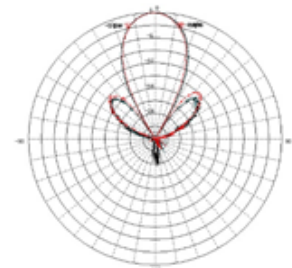
ii. Mechanical Specification

Radom Dimension (HxWxD)	200 x 200 x 50 mm
Weight (Exclude bracket)	≤ 1 kg
Connector Type	N-J (Female) × 4
Radome Color	White
Mechanical Down Tilt	Up, Down ± 30°
	Left, Right ± 30°
Temperature	-30 °C ~ 60 °C
Packing Size (H x W x D)	-

iii. Radiation Pattern



Horizontal Pattern



Vertical Pattern